

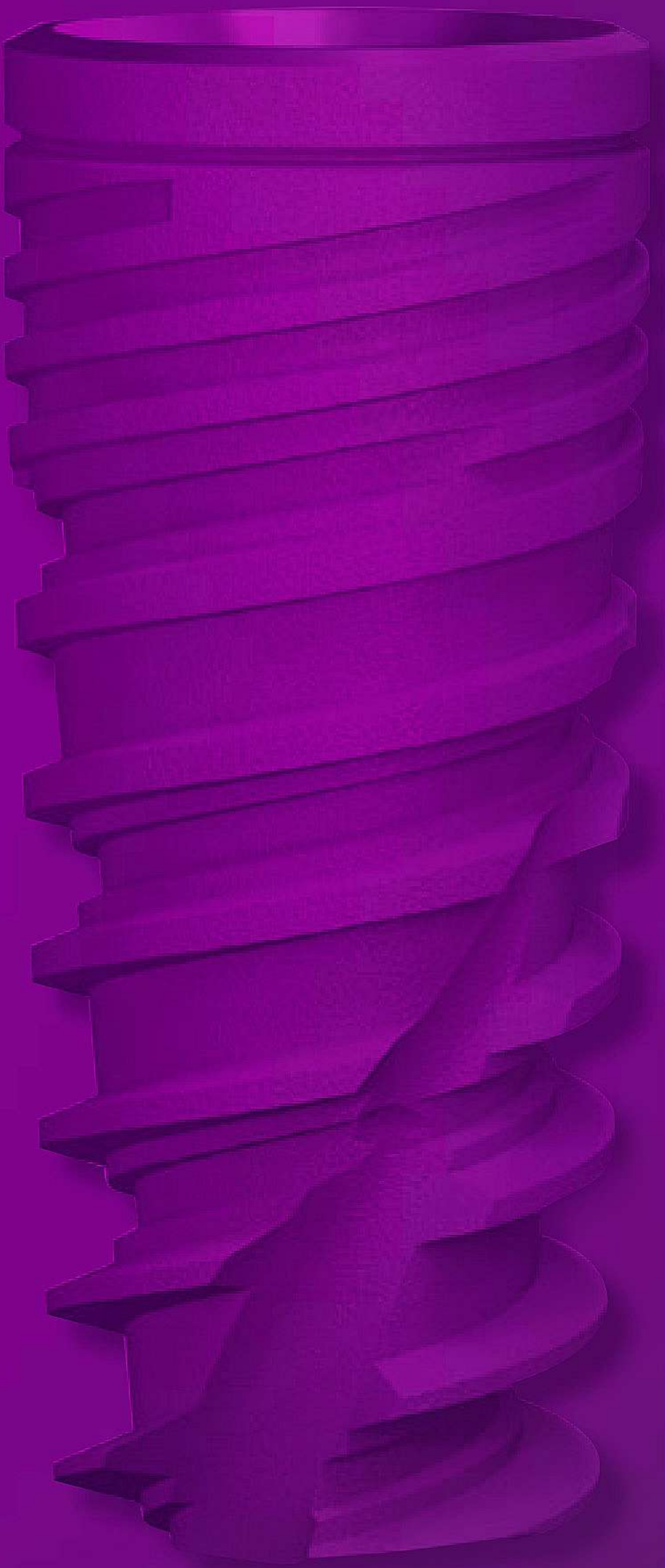
**GLOBAL**

I M P L A N T

G m b H

DENTAL IMPLANT SYSTEMS

PRODUCT CATALOG





**GLOBAL**  
IMPLANT



# ABOUT US

GLOBAL IMPLANT GmbH is a Dental leading international company specializing in the development, manufacturing and marketing of Dental implants and oral rehabilitation solutions. We have been in this field more than 40 years.

Our company provide a wide range of solutions for the all the implants you need, it is in our effort to satisfy our customers all over the world with all there needs and requirements in order to give the best results.

We provide a wide range of implants and rehabilitation units in our effort to satisfy any clinical dentist surgical orthopedic hospitals dental laboratory needs that may be encountered.

GLOBAL IMPLANT GmbH is working with Dealers / distributors in ASIA , AFRICA, USA, EUROPE. We are an open mind company, always thinking one step forward so we always welcome new partners.

Our GLOBAL IMPLANT GmbH R&D Department and its Academic Advisory Board have been committed to the continued innovative approach in both products and advanced technologies. Global Implant advisory board keeps abreast with clinical research activities maintaining excellence while meeting the challenges and demands presented by the Dental industry.

Global implant has a production lines for all her items, we do all we can in order to provide our customers the best quality product during lean manufacturing process that include inspections and control of the production way from the start till the end. We are using the best technology in porder to provide our customer the best quality items.

At Global implant, our objective is to provide safe and high precision dental products and services which undergo strictest quality control measures. We ensure that a high percentage of samples are taken from every batch. Samples undergo a very strict set of tests that ensure cleanliness and conformity thus ensuring minimal rejections.

All our products adhere to the highest international standards and have CE mark and FDA approval. Our high standard is a result of years of investment in R&D and vast experience in the sales of Dental implants in the EU, USA and many other countries. Global implant is a technological leader. Our ability to constantly think outside the box and give our clients useful solutions to real problems is what gives the company its reputation as a global leader in the dental field.

At Global Implant our vision is to guarantee our customers satisfaction in re-assuring that the company's products have been specifically designed to provide full functionality and the maintenance of an aesthetic appearance over time. We keep our customers smiling one at a time

**Product Gurantee**



## GLOBAL IMPLANT FACTORY

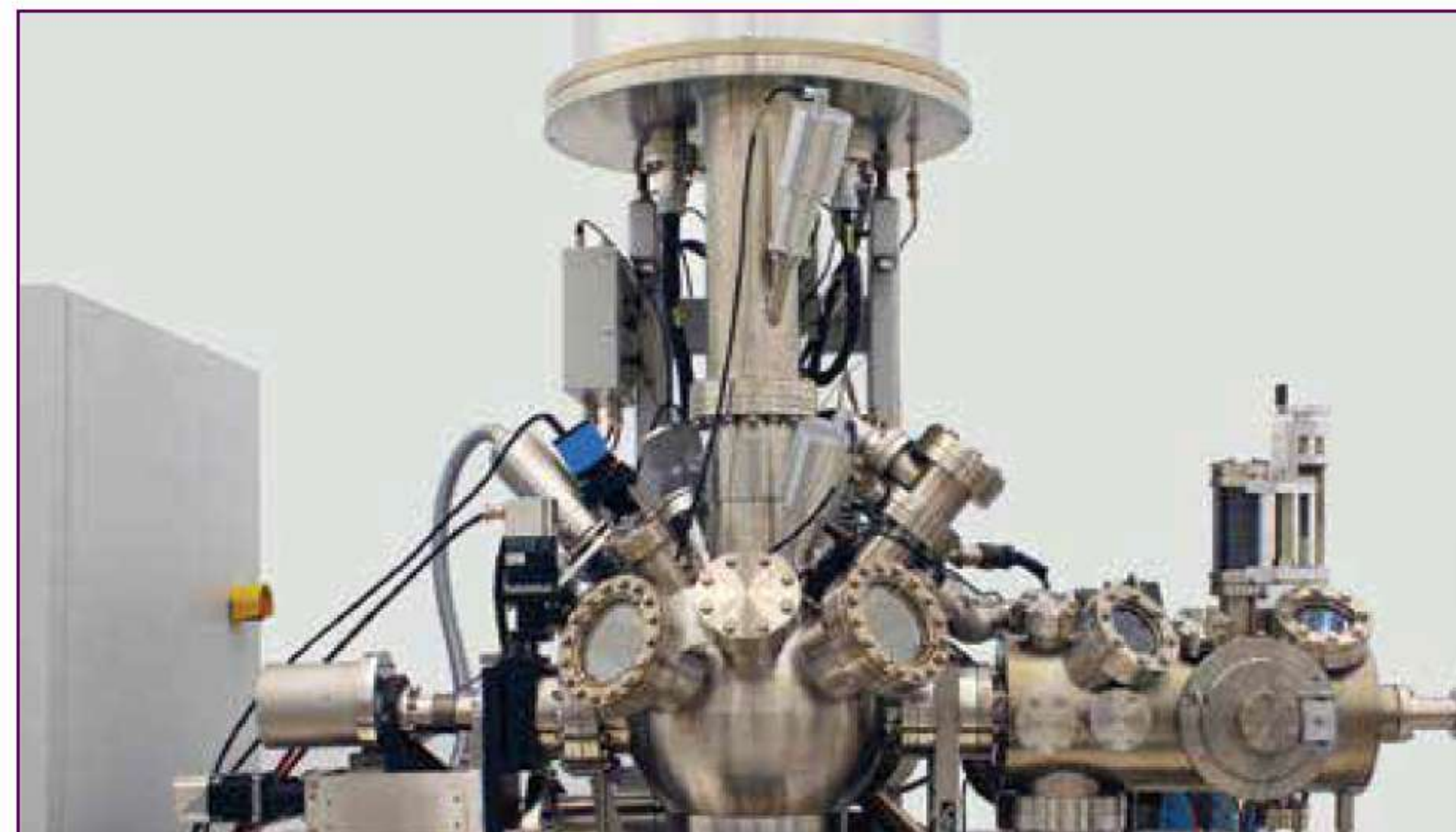
All rights are reserved.

No part of this publication may be reproduced, stored in a retrieval system or transmitted in any form or by any means, electronic, mechanical, photocopying, recording or otherwise, without prior permission of the publisher.

Warning: only a licensed dentist should use these products.

# FACTORY

*Aerospace accuracies integrated with biomechanical excellence and stringent medical production procedures*



quality management system

As dental product safety and reliability are at the forefront of all our activities, our quality management system controls our in-house implants production process. From raw material to clean room packaging, all production stages are made in-house in our own state-of-the-art facility.

Each and every step is closely monitored and constantly validated to ensure product safety and reliability.



operators' training

This advanced quality assurance system aims to assure that our performance of zero PPM (zero defects per million parts) proven capability will be sustained.

An integral part of this system is the operators' training and each and every one of them undergoes an elementary dental implantology course to heighten the responsibility level which is expected in the production of dental implants.

## General

|              | Page |
|--------------|------|
| Introduction | 3    |
| Factory      | 4    |
| Factory      | 5    |
| Contents     | 6    |

## Implants

|                       |     |
|-----------------------|-----|
| Oliver implant        | 7-8 |
| Surface               | 9   |
| Oliver implant        | 10  |
| Oliver drill sequence | 11  |

## Prosthetics

|             |       |
|-------------|-------|
| Prosthetics | 15-29 |
|-------------|-------|

## Surgical Kit

|                                      |    |
|--------------------------------------|----|
| Kit contents                         | 31 |
| Specialized 1.25mm KEYS              | 33 |
| Ratchet, depth probe & parallel pins | 34 |

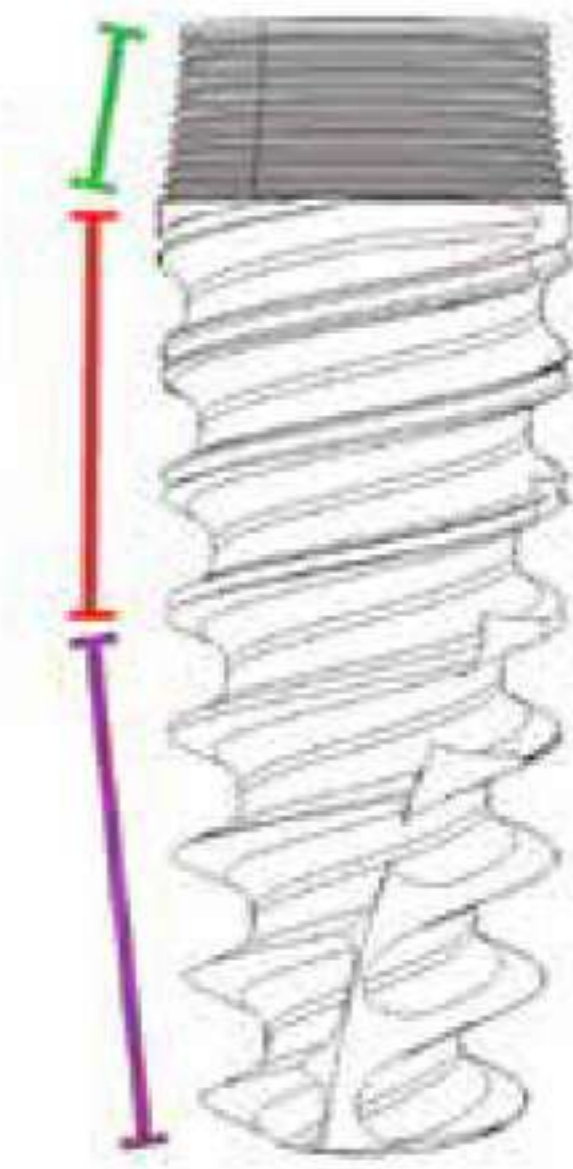
## Packaging

|                                 |       |
|---------------------------------|-------|
| Packagin & Label & Color Coding | 36-39 |
|---------------------------------|-------|

# OLIVER IMPLANT

- The truncated-cone profile reproduces root-form morphology of the tooth root and offers significant advantages in many critical situations.
- Platform Switching - The prosthetic connection leaves constant horizontal progressive space for the biological width, limits bone resorption, stabilizes the soft tissue and ensures excellent papillary aesthetics.
- The modular convergent tapered coronal portion of the implant offers greater flexibility to implant placement.

## Implant Profile



## Progressive Thread



- The thread with the concave profile has an apical-coronal incremental thickness DSST (Double Stressless Sharp Thread) which together with a descending concave profile between the threads, generates a gentle and progressive vertical and horizontal bone compaction.

## Cutting Apex Edge



- Provides self drilling and self tapping capacity to the implant.
- Offers the possibility of optimizing implant insertion angulation.

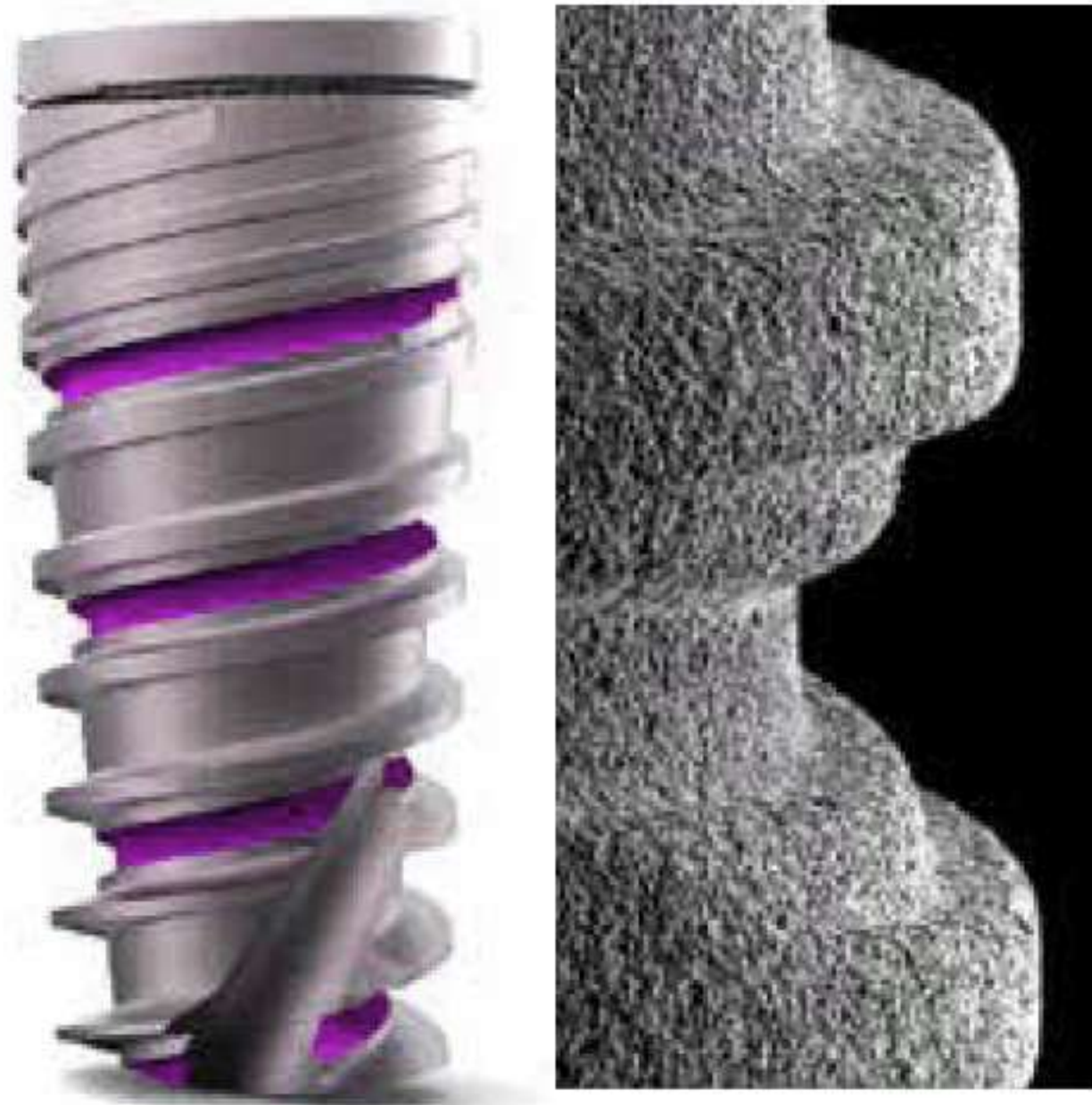
## Restorative Platform



- Subcrestal placement including a beveled collar shifting the implant-abutment junction inward, in order to achieve platform-switching configuration.
- Platform switching generates a perfect environment for the soft-tissue growth and helps prevent bone resorption.

## Assisted Osseointegration

- Our unique Spherical Helix Chamber forms a localized infrastructure that serves as a scaffold for promoting wound healing and bone formation from existing osteoblasts.



## Apex Design

- Apex with self-tapping drilling blades enables smaller osteotomy.
- The self-tapping function also supports a precise adaptation of the implant thread to the bone, thus providing optimal primary stability.

## Wide Rounded Apex



- Improved ease of insertion and allowing mild direction refinement during the initial stages of insertion.



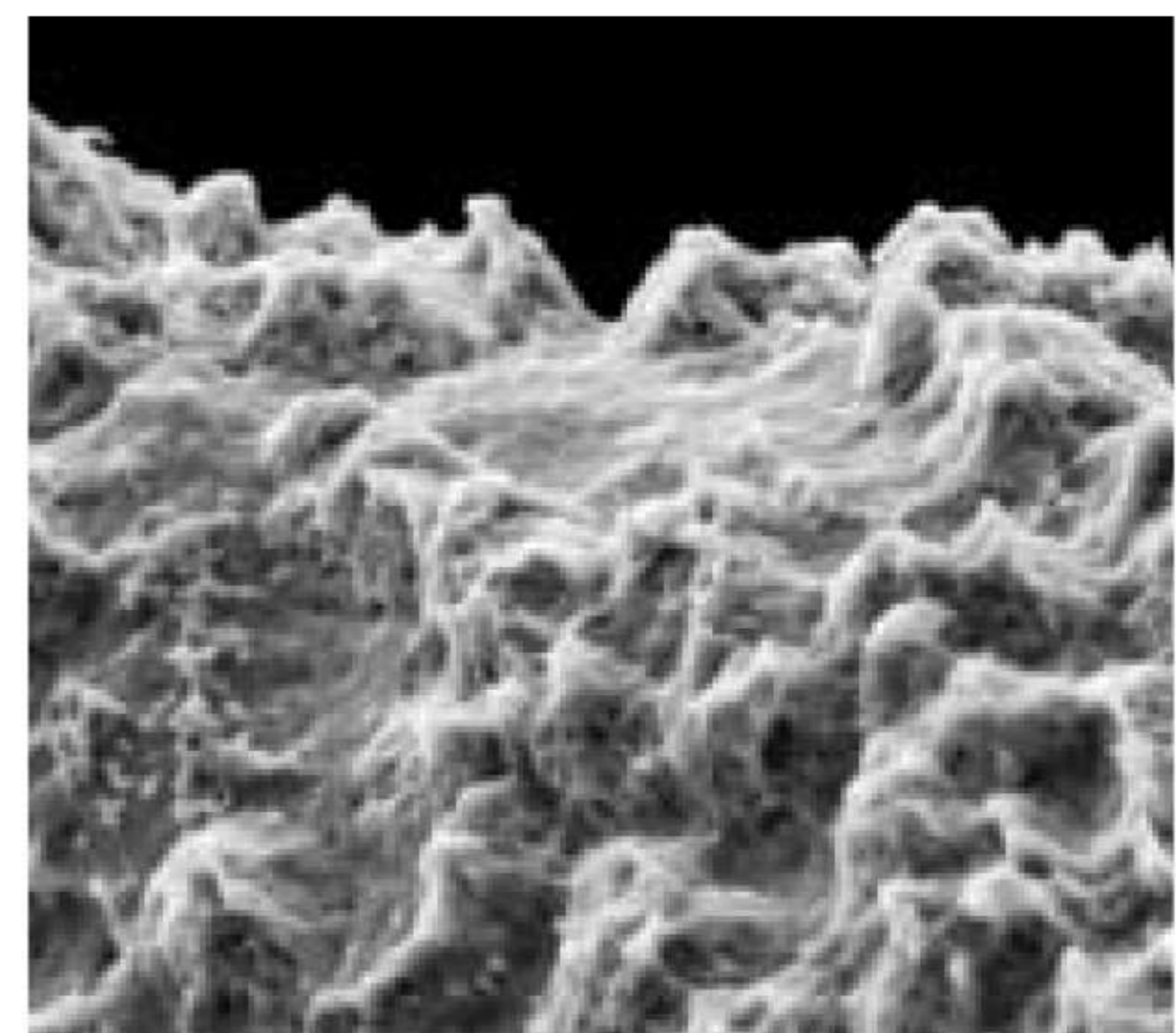


# SURFACE TREATMENT

GLOBAL Implant Made in Germany offers Nano Active Surface to the field of Surface Treatments on medical parts. Tests shows results on Titanium Implants that deliver improved Osseo integration so that the bone will grow around the implants and into it within the lowest healing time possible and with a more potent grip of the grown bone around the implant. GLOBAL Implant is pleased to introduce the new NANO Bio new implant. This implant is made in a new technique. The surface undergoes an electrochemical process. The result is an addition of DELICATE TOUCHES of calcium phosphate bone substitute in a thin layer coating.

## Surface Treatment

- Nano active surface manufactured in german technology  
Fastest osseointegration time  
The rough surface of the implant is good for its osseointegration and cellular response  
The direct contact of bone and implant surface can be verified microscopically.  
What we always seek is the best Osseointegration possible.

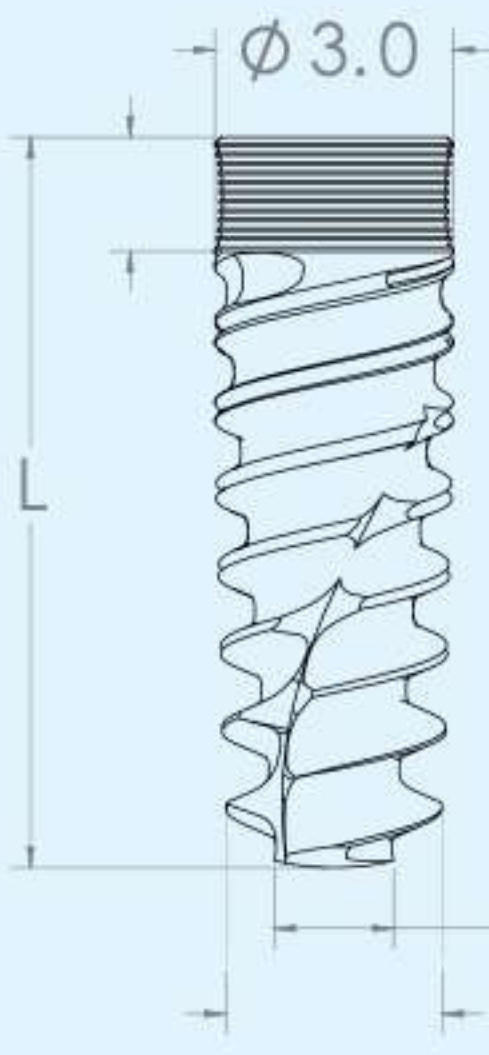
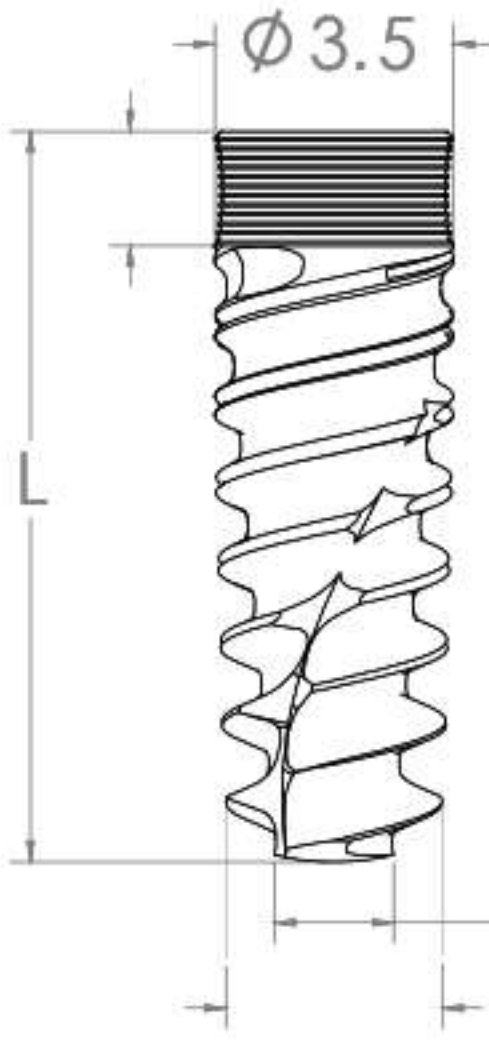
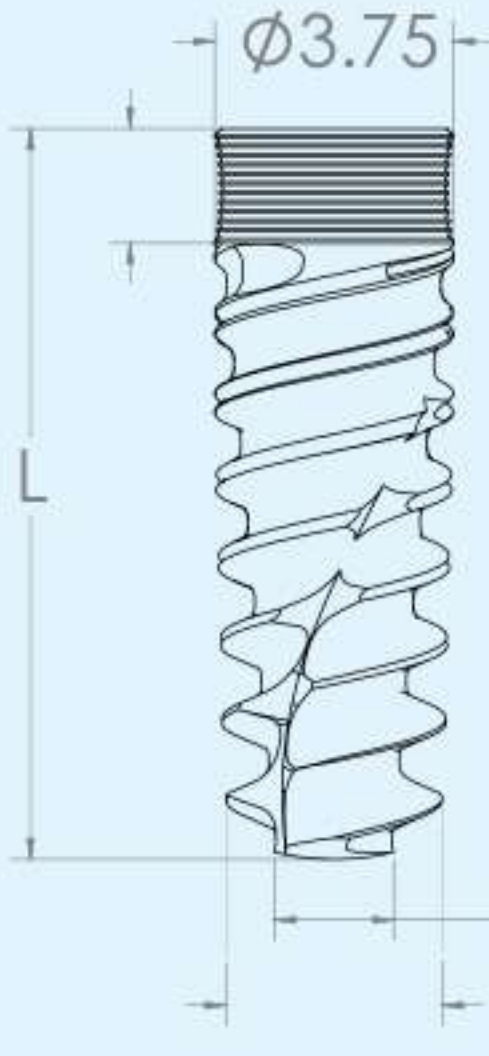
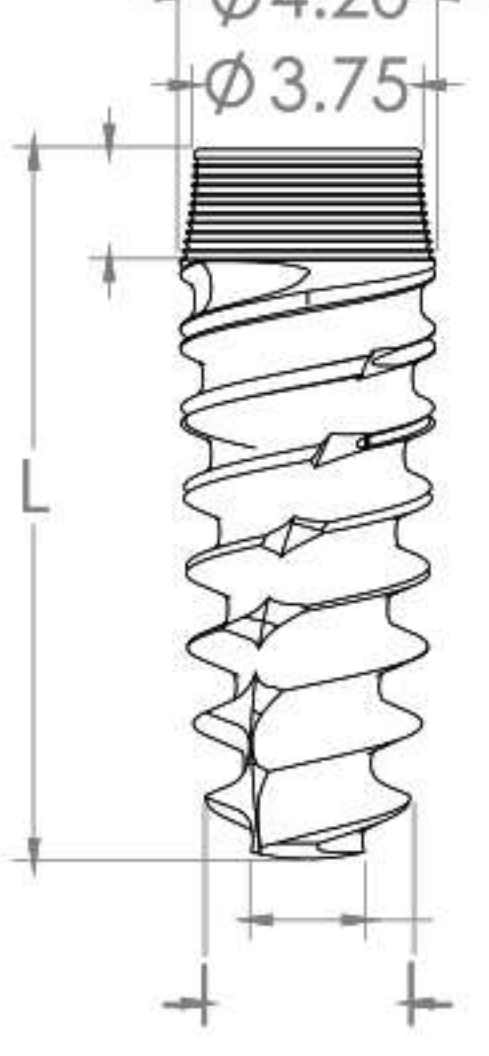

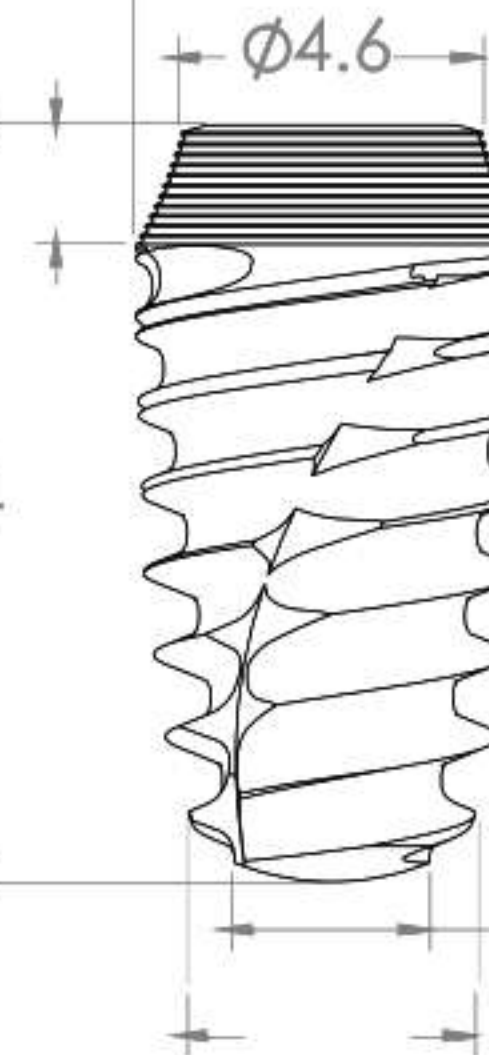


## Implant Body

- High initial stability even in compromised bone situations.
- Expanding tapered implant body with double-thread self-tapping design condenses bone gradually to enhance primary stability.
- The insertion rate of the Molecular Oliver implants are 2,2mm per revolution.



# OLIVER IMPLANT

| <b>Length</b>   | <b>6mm</b> | <b>8mm</b> | <b>10mm</b> | <b>11.5mm</b> | <b>13mm</b> | <b>16mm</b> |
|---|------------|------------|-------------|---------------|-------------|-------------|
|  <p>● <b>ult Ø 3.0 mm</b></p>    |            | 3.0.8      | 3.0.10      | 3.0.11.5      | 3.0.13      | 3.0.16      |
|  <p>● <b>ult Ø 3.5 mm</b></p>   |            | 3.5.8      | 3.5.10      | 3.5.11.5      | 3.5.13      | 3.5.16      |
|  <p>● <b>ult Ø 3.75 mm</b></p> |            | 3.75.8     | 3.75.10     | 3.75.11.5     | 3.75.13     | 3.75.16     |
|  <p>● <b>ult Ø 4.2 mm</b></p>  | 4.2.6      | 4.2.8      | 4.2.10      | 4.2.11.5      | 4.2.13      | 4.2.16      |
|  <p>● <b>ult Ø 5.0 mm</b></p>  | 5.6        | 5.8        | 5.10        | 5.11.5        | 5.13        | 5.16        |
|  <p>○ <b>ult Ø 6.0 mm</b></p>  | 6.6        | 6.8        | 6.10        | 6.11.5        | 6.13        | 6.16        |

# OLIVER IMPLANT

| <b>Bone type</b>       | <b>I,II</b>   | <b>Drill Length *</b>  | <b>RPM</b>  | <b>III,IV</b>   | <b>Drill Length *</b>  | <b>RPM</b>   |
|------------------------|---|--|---|---|--|--|
| ● <b>ult Ø 3.0 mm</b>  | Ø 1.9 mm<br>Ø 2.0 mm  | Full Implant Length<br>Full Implant Length   | 1200-1500<br>900-1200   | Ø 1.9 mm<br>Ø 2.0 mm  | Full Implant Length<br>Full Implant Length   | 1200-1500<br>900-1200  |
| ● <b>ult Ø 3.5 mm</b>  | Ø 1.9 mm<br>Ø 2.0 mm<br>Ø 2.8 mm  | Full Implant Length<br>Full Implant Length<br>2/3 Implant Length   | 1200-1500<br>900-1200<br>500-700  | Ø 1.9 mm<br>Ø 2.0 mm<br>Ø 2.8 mm  | Full Implant Length<br>Full Implant Length<br>1/2 Implant Length   | 1200-1500<br>900-1200<br>500-700   |
| ● <b>ult Ø 3.75 mm</b> | Ø 1.9 mm<br>Ø 2.0 mm<br>Ø 2.8 mm<br>Ø 3.2 mm  | Full Implant Length<br>Full Implant Length<br>2/3 Implant Length<br>1/3 Implant Length   | 1200-1500<br>900-1200<br>500-700<br>200-400   | Ø 1.9 mm<br>Ø 2.0 mm<br>Ø 2.8 mm  | Full Implant Length<br>Full Implant Length<br>1/2 Implant Length   | 1200-1500<br>900-1200<br>500-700   |
| ● <b>ult Ø 4.2 mm</b>  | Ø 1.9 mm<br>Ø 2.0 mm<br>Ø 2.8 mm<br>Ø 3.2 mm<br>Ø 3.65 mm                                     | Full Implant Length<br>Full Implant Length<br>Full Implant Length<br>2/3 Implant Length<br>1/3 Implant Length  | 1200-1500<br>900-1200<br>500-700<br>400-700<br>200-400                                  | Ø 1.9 mm<br>Ø 2.0 mm<br>Ø 2.8 mm<br>Ø 3.2 mm                                      | Full Implant Length<br>Full Implant Length<br>1/2 Implant Length<br>1/3 Implant Length   | 1200-1500<br>900-1200<br>500-700<br>400-700                                  |
| ● <b>ult Ø 5.0 mm</b>  | Ø 1.9 mm<br>Ø 2.0 mm<br>Ø 2.8 mm<br>Ø 3.2 mm<br>Ø 3.65 mm<br>Ø 4.2 mm                         | Full Implant Length<br>Full Implant Length<br>Full Implant Length<br>Full Implant Length<br>2/3 Implant Length<br>1/3 Implant Length   | 1200-1500<br>900-1200<br>500-700<br>400-700<br>400-600<br>200-400                       | Ø 1.9 mm<br>Ø 2.0 mm<br>Ø 2.8 mm<br>Ø 3.2 mm<br>Ø 3.65 mm                         | Full Implant Length<br>Full Implant Length<br>Full Implant Length<br>2/3 Implant Length<br>1/3 Implant Length  | 1200-1500<br>900-1200<br>500-700<br>400-700<br>400-600                       |
| ○ <b>ult Ø 6.0 mm</b>  | Ø 1.9 mm<br>Ø 2.0 mm<br>Ø 2.8 mm<br>Ø 3.2 mm<br>Ø 3.65 mm<br>Ø 4.2 mm<br>Ø 5.0 mm<br>Ø 5.2 mm | Full Implant Length<br>Full Implant Length<br>Full Implant Length<br>Full Implant Length<br>Full Implant Length<br>Full Implant Length<br>1/2 Implant Length<br>1/3 Implant Length | 1200-1500<br>900-1200<br>500-700<br>400-700<br>400-600<br>400-600<br>300-500<br>200-400 | Ø 1.9 mm<br>Ø 2.0 mm<br>Ø 2.8 mm<br>Ø 3.2 mm<br>Ø 3.65 mm<br>Ø 4.2 mm<br>Ø 5.0 mm | Full Implant Length<br>Full Implant Length<br>Full Implant Length<br>Full Implant Length<br>Full Implant Length<br>Full Implant Length<br>1/2 Implant Length | 1200-1500<br>900-1200<br>500-700<br>400-700<br>400-600<br>400-600<br>300-500 |



# PROSTHETICS

# KEY TO ABBREVIATIONS

|              |                            | <b>Page</b> |
|--------------|----------------------------|-------------|
| <b>HC</b>    | Healing cap                | 17          |
| <b>AN-TR</b> | Analog - Transfer          | 18          |
| <b>ABT</b>   | Straight abutment          | 19          |
| <b>ABTS</b>  | Angulated abutment         | 20          |
| <b>TAB</b>   | Temporary abutment         | 21          |
| <b>CAP</b>   | Casting abutment           | 22          |
| <b>SRA</b>   | Screw retained abutment    | 23          |
| <b>BAL</b>   | Ball attachment            | 24          |
| <b>MUA</b>   | Multi-unit abutments       | 25          |
| <b>MAU</b>   | Multi-angulated unit       | 26          |
| <b>MUp</b>   | Multi-unit parts and screw | 27          |
| <b>LOC</b>   | Locator abutment           | 28-29       |

# ANATOMIC HEALING CAP

The anatomic healing caps are designed to sculpt a proper emergence profile for the permanent prosthesis and prevent extra soft tissue trauma.

To ensure the length of the implant above the gum tissue, the anatomic healing caps are available in:

**Standard platform:** diameter 4.6 mm, heights 2-7 mm.

**Narrow platform:** diameter 3.8 mm, heights 3, 5 mm.

**Wide platform:** diameter 6.0 mm, heights 3, 5 mm.



Standard Ø 4.6 mm



Wide Ø 6.0 mm



Narrow Ø 3.8 mm

## Analog



AN

Tight accuracies are kept in all impression coping parts to ensure that the implant position recorded by the impression coping will be accurately reproduced on the

## Transfer

Open / Close Tray



TR

Designed to transfer the implant's position and hex orientation as well as the soft tissue profile.

Global Dental's transfers are available for both closed or open tray, transfer impression technique. The transfer is designed for a perfect mate to the corresponding implant analog.

All transfers include 16 mm screw Long Screw 24 mm sold separately.



TR



TR



TR



TR



# STRAIGHT ABUTMENTS & ANATOMIC STRAIGHT ABUTMENTS

Titanium straight abutment is a supporting structure to sustain lateral or horizontal pressure as an anchorage for a single tooth or more.

*The abutment comes in three configurations:*

- Standard platform - available in 9 mm height, 11 mm height.
- Narrow - for limited prosthetic space, available in 6 mm height, 8.5 mm height.
- Anatomic - shoulder elevated 2 & 4 mm above the bone, appropriate for thick gums or when the implant is very deep.

Every Global Dental abutment includes a short screw. Additional screws are sold separately.

## Abutment Screw Short (8.3 mm)

- Low profile screw head.
- Utilize the 1.25 mm hex driver.
- Packaged with all angulated abutments.
- Final torque 30 Ncm.
- Titanium Alloy - Ti6Al4V.
- 1. 2. 3. 4 mm available

## Abutment Screw Long (9.5 mm)

- High profile screw head.
- Utilize the 1.25 mm hex driver.
- Packaged with all straight abutments.
- Final torque 30 Ncm.
- Titanium Alloy - Ti6Al4V.



Standard Ø 4.6 mm

Narrow Ø 3.8 mm

Anatomic Ø 5.6 mm

# ANGULATED ABUTMENTS 15°, 25°, 35° & 45°



ABT  
9 mm 15°



ABT  
9 mm 25°



ABT  
12 mm 15°



ABT  
12 mm 25°



ABT  
12 mm 15°



ABT  
12 mm 25°



ABT  
9 mm 35°



ABT  
9 mm 45°



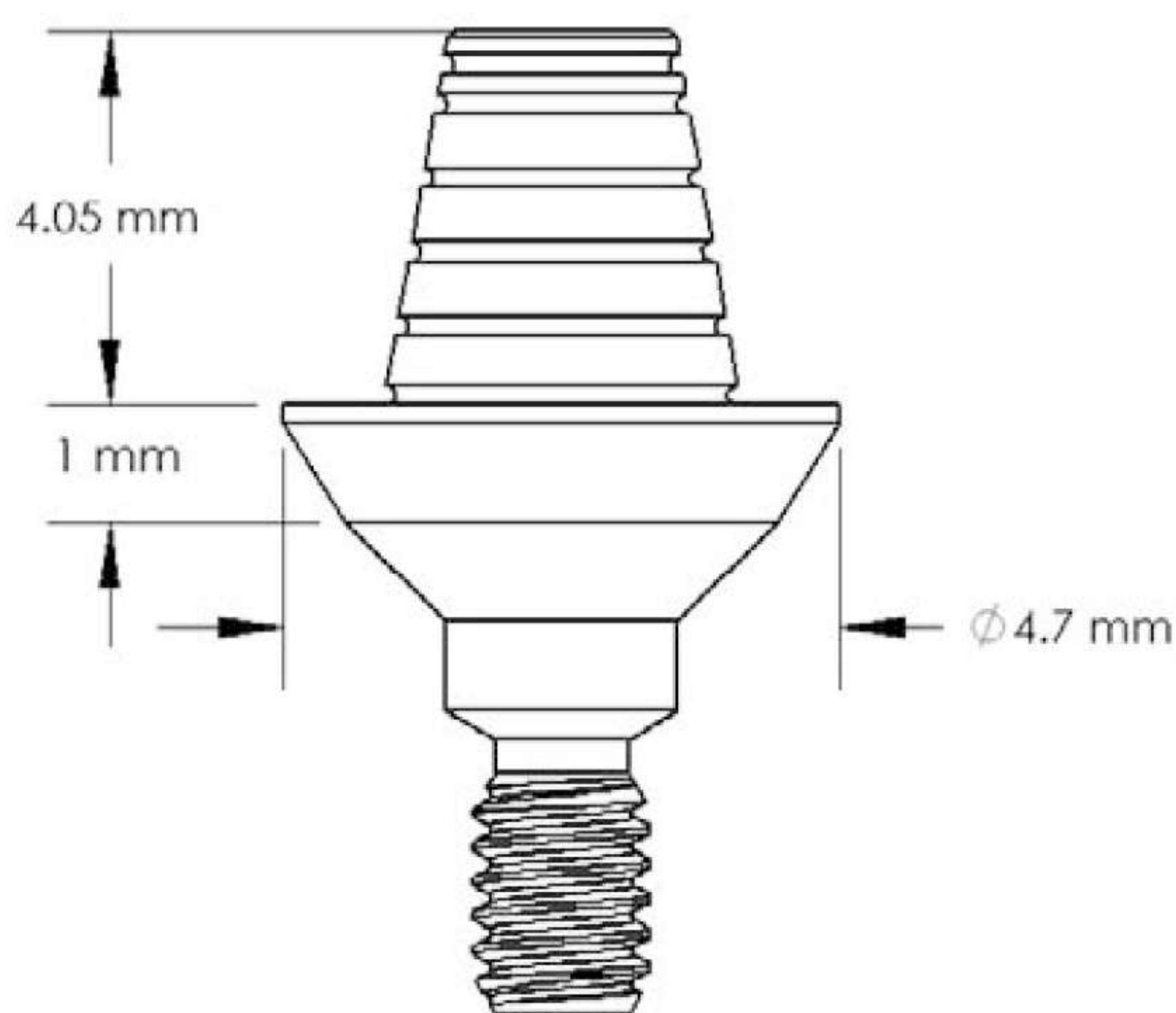
ABT  
12 mm 35°



ABT  
12 mm 45°

# TEMPORARY ABUTMENTS

- Temporary non-hex abutments.
- For immediate loading procedure on temporary bridges.
- No cement required.
- Available in three heights: 1, 2, 3 mm.
- "Snap" connected by a plastic sleeve to the bridge.
- Provided with a set of 3 different retaining force plastic sleeves - **soft, standard and hard**.



# CASTING ABUTMENTS

- Casting Abutments are ideal for customized prosthetic restorations.
- Titanium Base enables precise implant-abutment connection.
- Two types of casting abutments bases are available:
  - **Hexagonal** - Intended to be used for custom casting prosthetic restorations on single implant or multiple implants.
  - **Cylindrical** - Intended to be used **only** for custom casting prosthetic restorations on multiple implant prosthetic restoration.



**CAT**  
Titanium Base Casting  
Abutment - Hexagon  
Length 11mm  
Height 1.0mm



**CAT**  
Titanium Base Casting  
Abutment - Cylinder  
Length 11mm  
Height 1.0mm



**CAS**  
Casting Abutment  
Plastic - Hexagon  
Length 15.2mm  
Height 1.0mm



**CAS**  
Casting Abutment  
Plastic - Cylinder  
Length 15.2mm  
Height 1.0mm



**CAP**  
Straight Casting  
Esthetic Abutment -  
Plastic - Hexagon  
Length 10.5mm  
Height 1.0mm



**CAP**  
Angulated 15° Casting  
Esthetic Abutment -  
Plastic - Hexagon  
Length 9.9mm  
Height 1.0mm



**CAP**  
Angulated 25° Casting  
Esthetic Abutment -  
Plastic - Hexagon  
Length 8.5mm  
Height 1.0mm



**CAP**  
Straight Casting  
Esthetic Abutment -  
Plastic - Hexagon  
Length 11.5mm  
Height 2.0mm



**CAP**  
Angulated 15° Casting  
Esthetic Abutment -  
Plastic - Hexagon  
Length 10.9mm  
Height 2.0mm



**CAP**  
Angulated 25° Casting  
Esthetic Abutment -  
Plastic - Hexagon  
Length 9.5mm  
Height 2.0mm



**CAP**  
Straight Casting  
Esthetic Abutment -  
Plastic - Hexagon  
Length 12.5mm  
Height 3.0mm



**CAP**  
Angulated 15° Casting  
Esthetic Abutment -  
Plastic - Hexagon  
Length 11.9mm  
Height 3.0mm



**CAP**  
Angulated 25° Casting  
Esthetic Abutment -  
Plastic - Hexagon  
Length 10.5mm  
Height 3.0mm

# SCREW RETAINED ABUTMENTS

Screw Titanium abutment is a supporting structure to sustain lateral or horizontal pressure as an anchorage for single tooth or more (bridge).

- Use 30 Ncm to close the abutment screw.
- SRA screws are also sold separately.
- **Package contains abutment and matching screw.**

0.5 mm shoulder



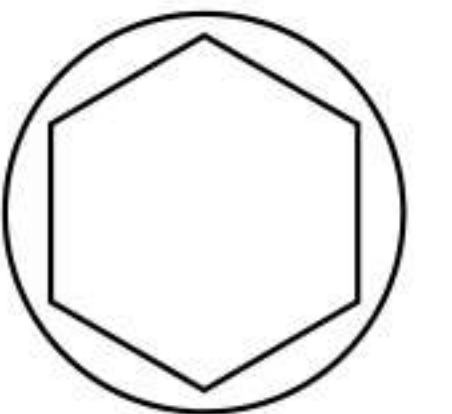
1.5 mm shoulder



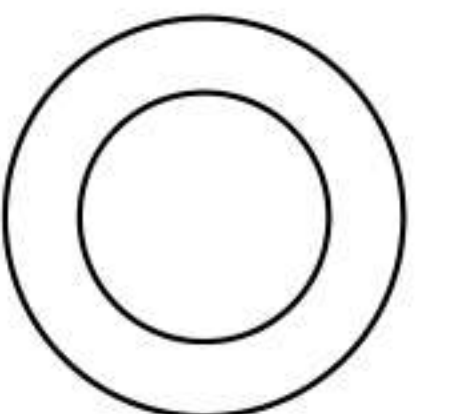
2.5 mm shoulder



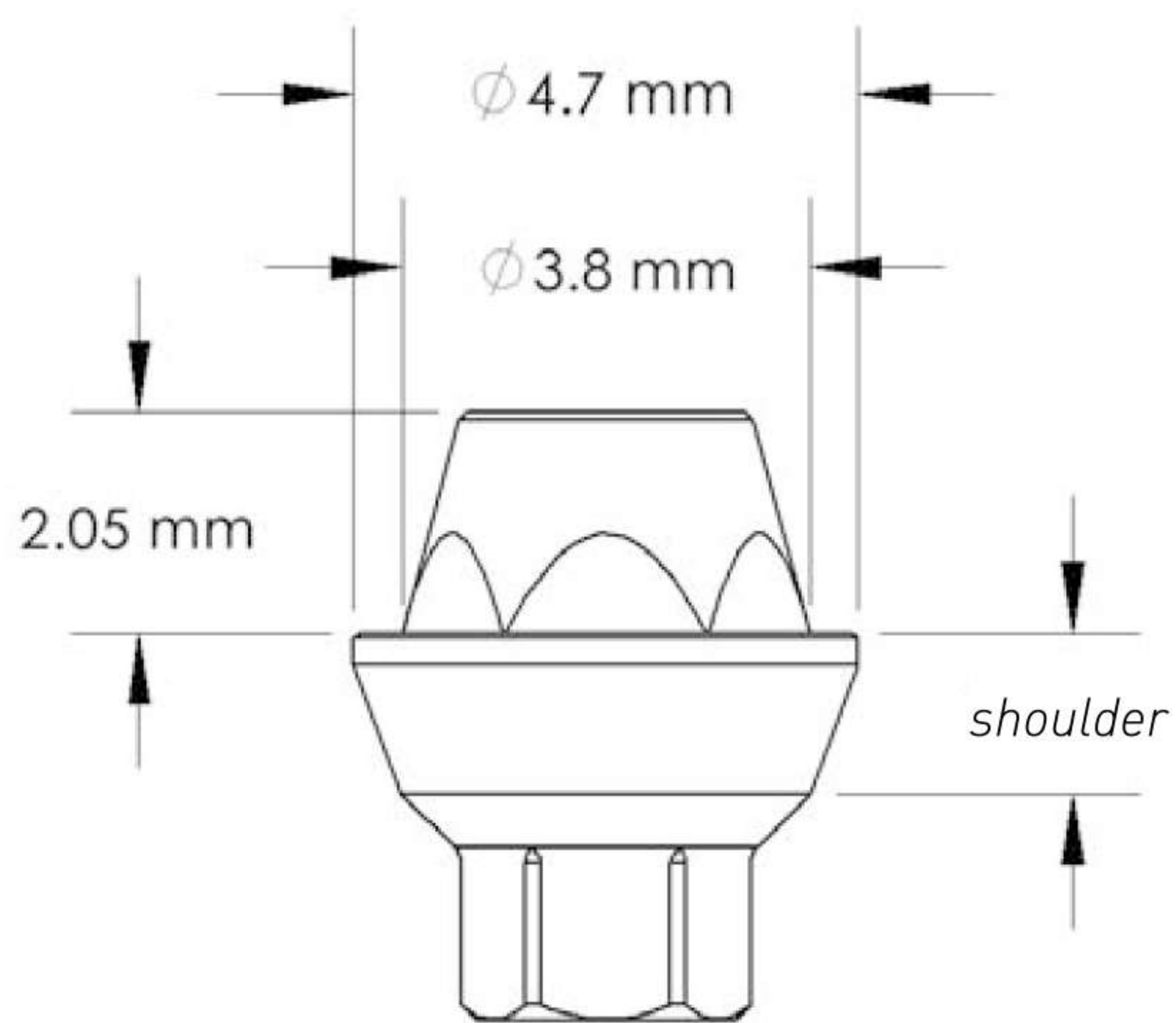
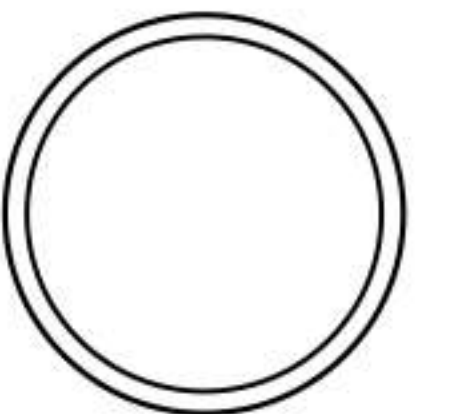
hexagonal hex



conical hex



round hex



sleeve



sleeve



sleeve

8.5 mm

3.5 mm



# BALL ATTACHMENTS



BAL-MC  
*Metal Cap Housing*



BAL-SCH  
*Silicon Cap Hard*



BAL-SCN  
*Silicon Cap Normal*



BAL-SCS  
*Silicon Cap Soft*

1.0 mm



BAL

2.0 mm



BAL

3.0 mm



BAL

4.0 mm



BAL

5.0 mm



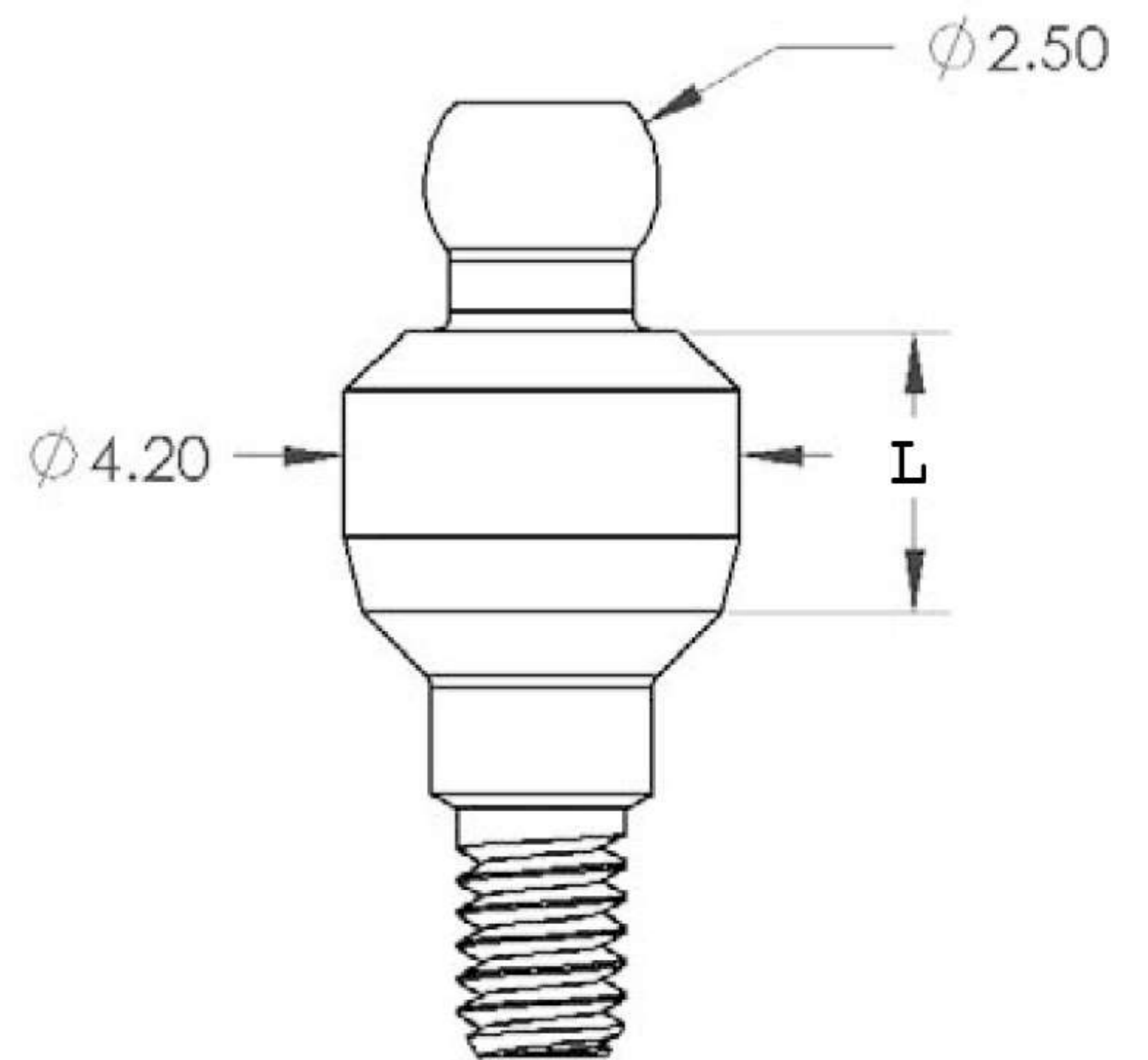
BAL

6.0 mm



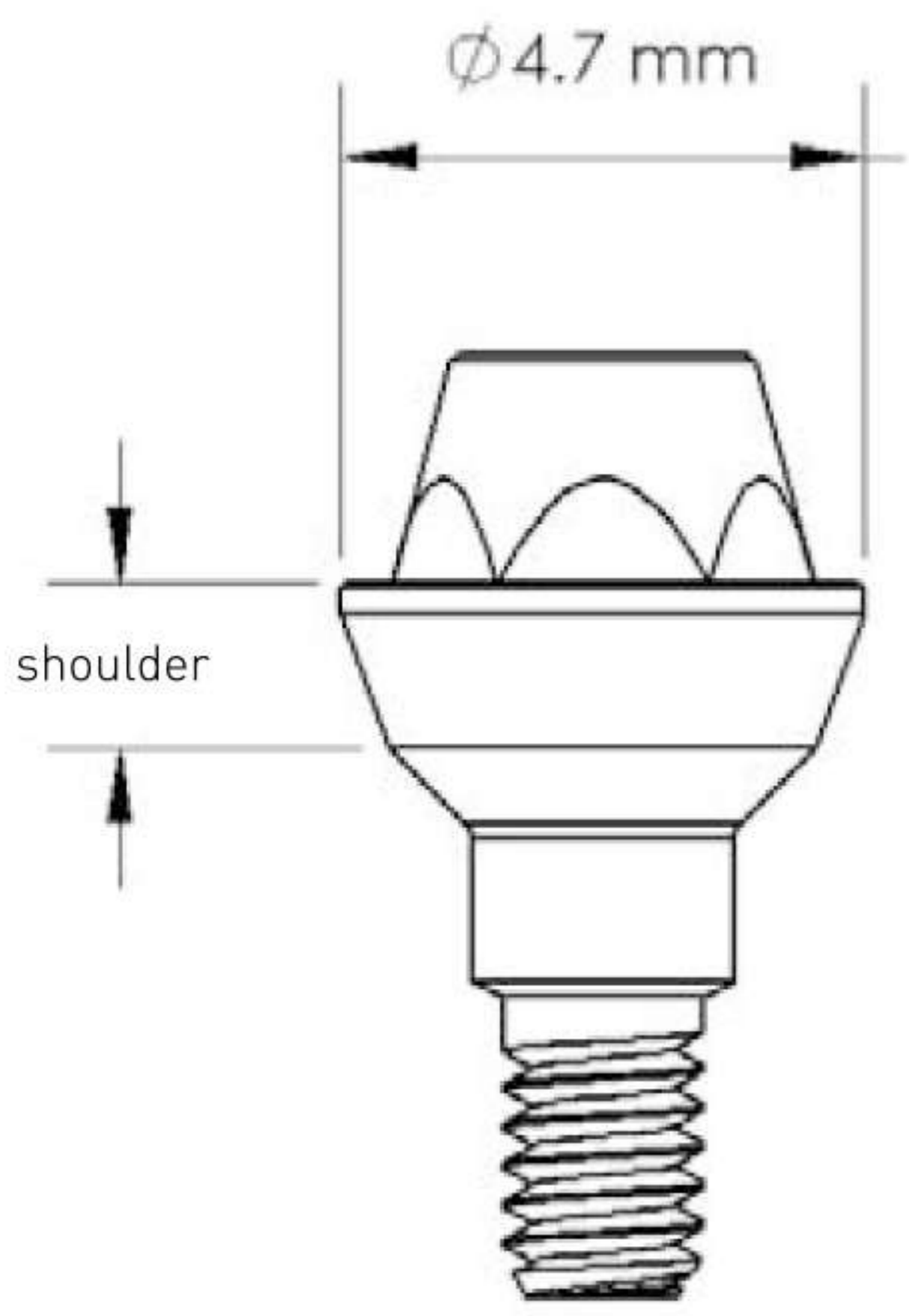
BAL

- Titanium ball abutment for overdenture restoration.
- Allows for misangulation between implants.
- Silicon caps are available in 6 levels of retention.
- Available in 6 heights 1.0 - 6.0 mm.
- Each part sold separately.
- Silicon caps: package contains 2 units.



# STRAIGHT MULTI-UNIT ABUTMENTS

- Multiple-unit restorations.
- Screw-retained.
- Both removable and fixed overdenture bar solutions are available.
- Available in 4 heights 1, 2, 3 mm.



1.0mm shoulder



2.0mm shoulder



3.0mm shoulder



4.0mm shoulder



Close tray transfer



Open tray transfer



Open tray screw



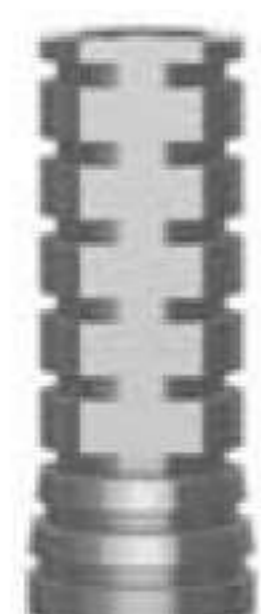
Open tray screw



Analog



Plastic sleeve



Temporary abutment



Titanium screw



Cylindered healing cap



Conical healing cap



Ball screw

# ANGULATED MULTI-UNIT ABUTMENTS

- Innovative solution – Low profile enables exceptional aesthetics in both edentulous and partially dentate arches.
- Simplified work flow – in both mandibular and maxilla challenging implant angles
- Comprehensive restorative solution –
  - Straight & angled (17° & 30°)
  - Two collar heights (3mm & 4mm)
  - Superior quality and strength Titanium alloy.
  - Final torque: 30 Ncm



## Multi unit Kit comes with:

- pre-mounted abutment screw
- Pre mounted carrier
- Cover cap



### angled multi-unit abutments

available in a wide variety of sizes and angles for difficult to restore cases

### low profile

abutment emergence profiles seat easily in shallow or deep tissue without the need for additional remodeling

### 45° conical connection

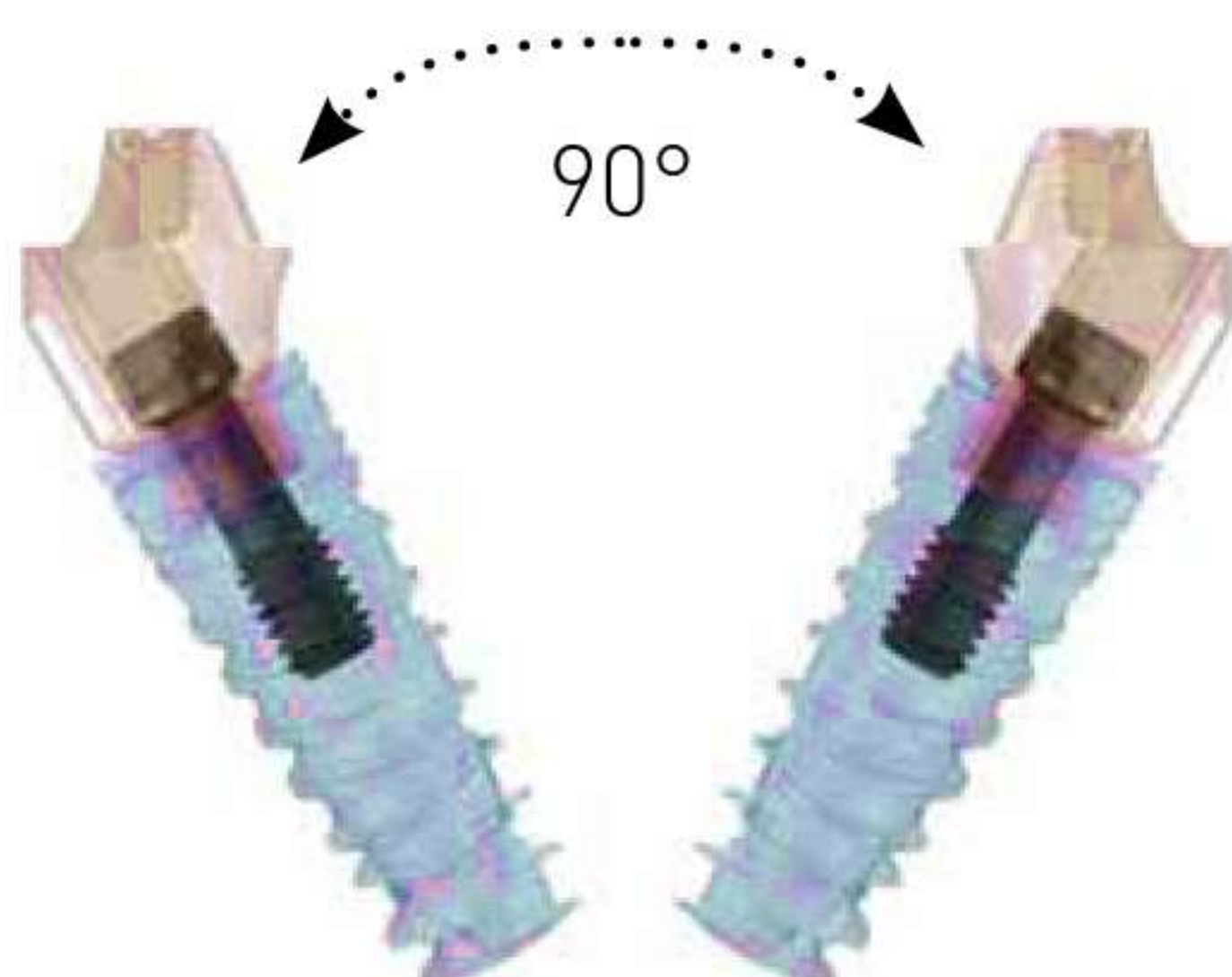
provides maximum angulation correction to create a passive prosthetic fit

### sculpted design

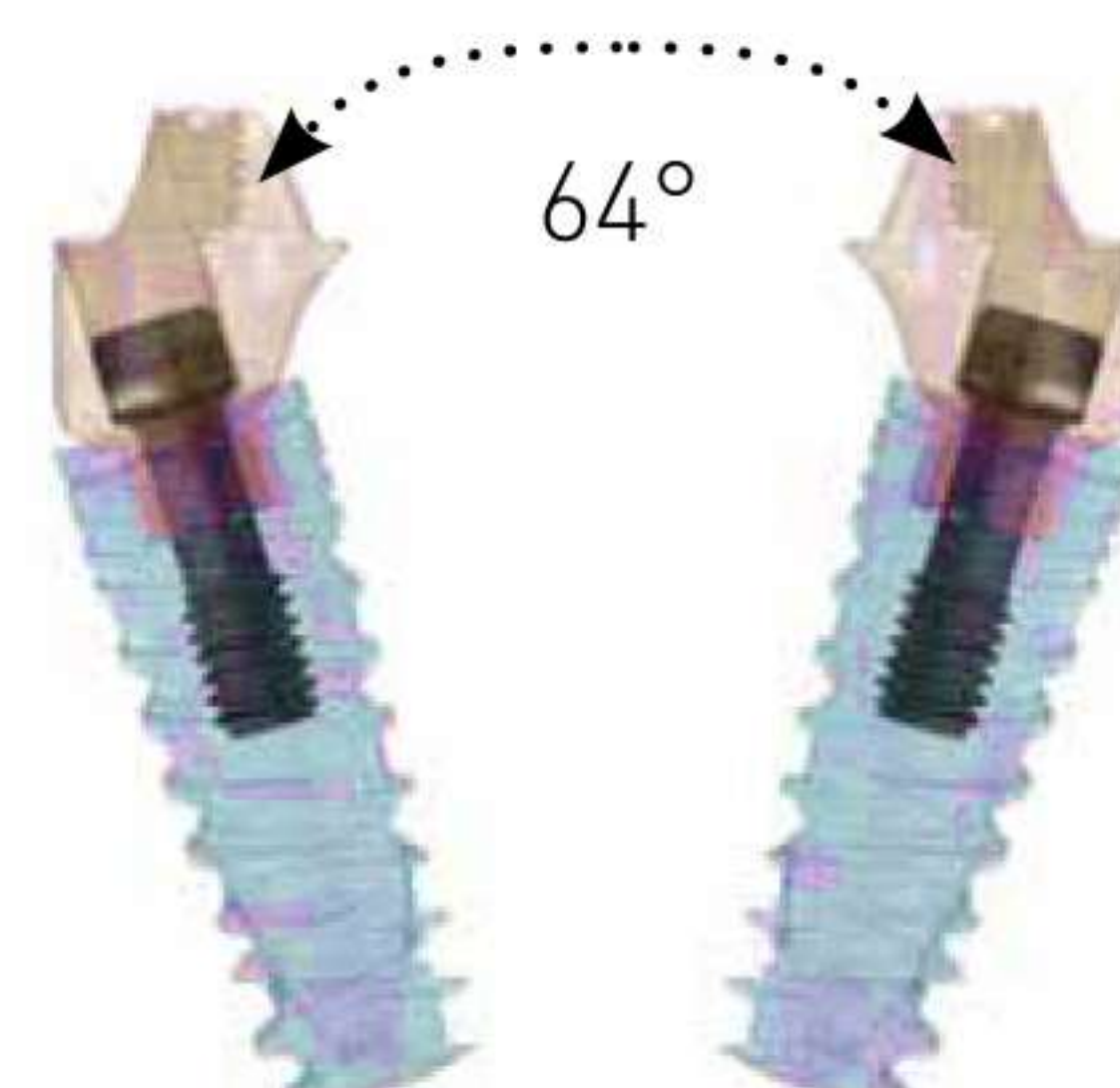
provides optimal soft tissue contouring with a wide variety of collar heights

### retained abutment screw

for one-handed delivery of angled abutments 1.25mm Hex Driver



The 30° multi-unit abutment allows an insertion path of up to 90° divergence.



The 17° multi-unit abutment allows an insertion path of up to 64° divergence.



# ANGULATED MULTI-UNIT ABUTMENTS

4.0 mm collar height

17° Angulation



3.0 mm collar height

17° Angulation



4.0 mm collar height

30° Angulation



3.0 mm collar height

30° Angulation



Close tray transfer



Open tray transfer



Open tray screw



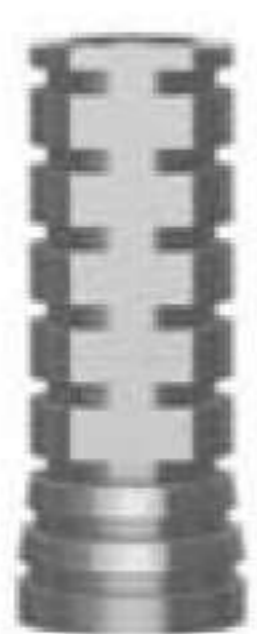
Open tray screw



Analog



Plastic sleeve



Temporary abutment



Titanium screw



Cylindereed healing cap



Conical healing cap



Ball screw

# LOCATOR OVERDENTURE RESTORATION ATTACHMENT RETAINED

The LOCATOR is a self-aligning attachment to combat the damage done by the improper seating of overdentures.

The LOCATOR® overdenture attachment features a unique patented pivoting technology, which sets it apart from all other overdenture attachments. Easy to insert and remove by your patients, LOCATOR attachments are designed with customizable levels of retention and a low vertical profile. Most important, however, is its innovative

ability to pivot, which increases the attachment's resiliency and tolerance for the high mastication forces an attachment must withstand, allows it to compensate for the path of insertion even with up to 40° of divergence between implants, while providing exceptional durability. This patented pivoting action, along with the attachment's self-aligning design, also provides ease of seating the denture by the patient.

## Indications:



- Fully edentulous arch.
- Extensive bone or soft tissue loss.
- Compromised patient manual dexterity.
- Necessity for soft tissue support.
- Phonetic concerns.
- Implant placed too far posteriorly to connect with a bar.
- Allows for misangulation of up to 40° between two implants.

### Locator kit 0° - 10°

h1.0mm  
h2.0mm  
h3.0mm  
h4.0mm  
h5.0mm  
h6.0mm

### Locator kit 10° - 20°

h1.0mm  
h2.0mm  
h3.0mm  
h4.0mm  
h5.0mm  
h6.0mm

## Locator Tools

Core tool that contains 3 tools in 1.  
This convenient tool is used to carry and place the LOCATOR abutment, remove the LOCATOR male, and insert the male into the LOCATOR denture cap. Insert drivers for various types of torque wrenches are available to achieve 30 Ncm of torque.

The LOCATOR overdenture attachment system comes with options of LOCATOR males or extended range males that allow you to restore non-parallel implants.

Locator males allow for insertion of the overdenture with up to 20° of divergence between implants and are available with 1.5, 3 or 5 lbs of retention forces.

Extended range males allow for insertion of the overdenture with up to an extensive 40° of divergence between implants and are available with 0, 1, 2 or 4 lbs. of retention forces.

LockKey Locator  
Core Tool  
(Male Removal, Male Seating and Abt. Driver)



## Locator kit includes

Titanium abutment, 3 plastic caps, spacer and metal housing.





# SURGICAL KIT

# KIT CONTENTS

Parallel pin



Short hand key 1.25



Long hand key 1.25



Short ratchet key 1.25



Long ratchet key 1.25



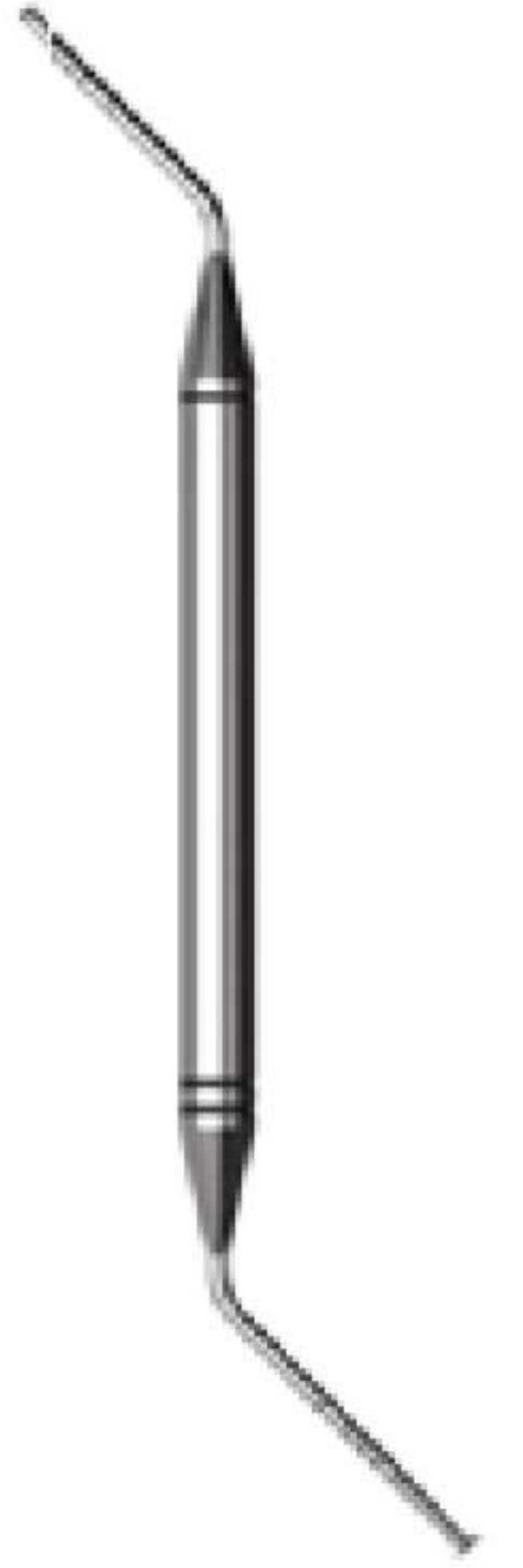
Long motor adaptor



Short motor adaptor



Depth probe



Countersink wide



Countersink standard



Short hand & ratchet key



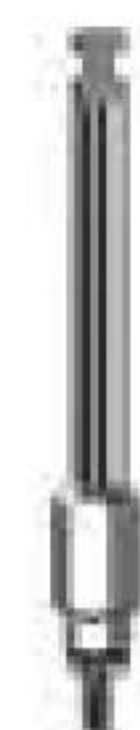
Long hand & ratchet key



Drill extender



Long motor insertion tool



Short motor insertion tool








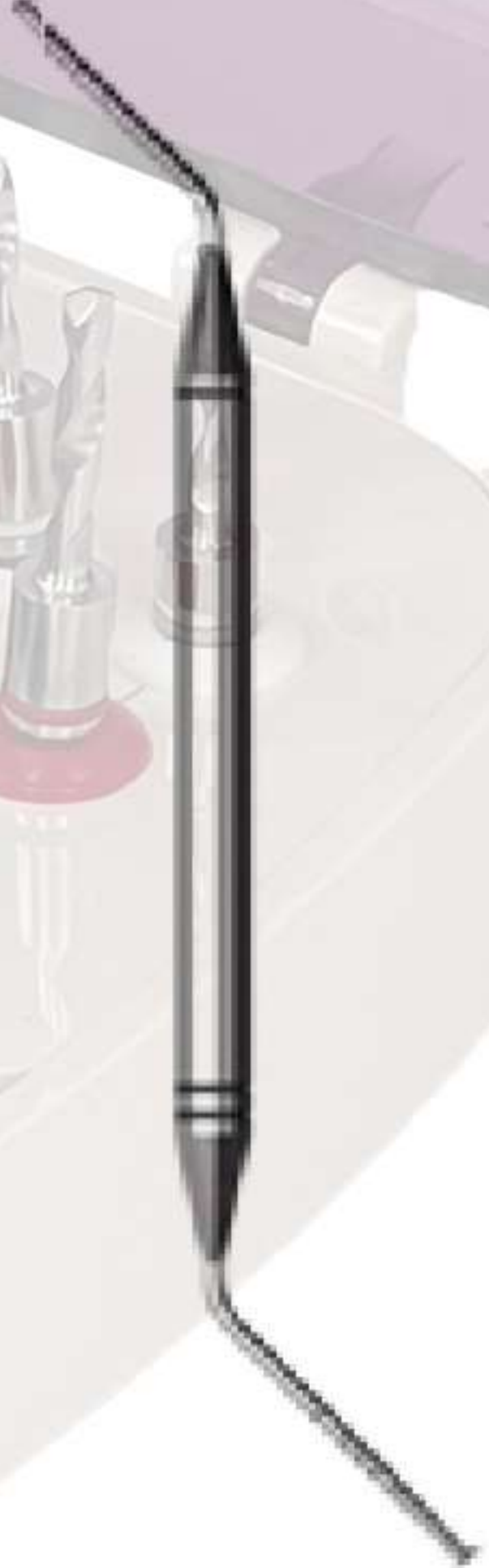







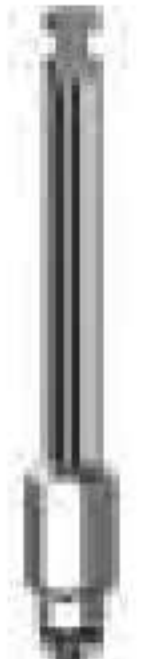


Ratchet wrench

# SURGICAL KIT WITH STOPPER

## KIT CONTENTS



-   
 Parellel pin
-   
 Short hand key 1.25
-   
 Long hand key 1.25
-   
 Short ratchet key 1.25
-   
 Long ratchet key 1.25
-   
 Long motor adaptor
-   
 Short motor adaptor
-   
 Depth probe
-   
 Ratchet wrench
-   
 Countersink wide
-   
 Countersink standard
-   
 Short hand & ratchet key
-   
 Long hand & ratchet key
-   
 Drill extender
-   
 Long motor insertion tool
-   
 Short motor insertion tool



# SPECIALIZED 1.25mm KEYS

Short hand key  
for 1.25 mm hex  
Dimensions: length - 22 mm  
Material: Stainless Steel



Long hand key  
for 1.25 mm hex  
Dimensions: length - 28 mm  
Material: Stainless Steel



Short motor adaptor  
for 1.25 mm hex.  
Dimensions: length - 22 mm  
Material: Stainless Steel



Long motor adaptor  
for 1.25 mm hex.  
Dimensions: length - 30 mm  
Material: Stainless Steel



Short ratchet key 1.25 mm



Long ratchet key 1.25 mm

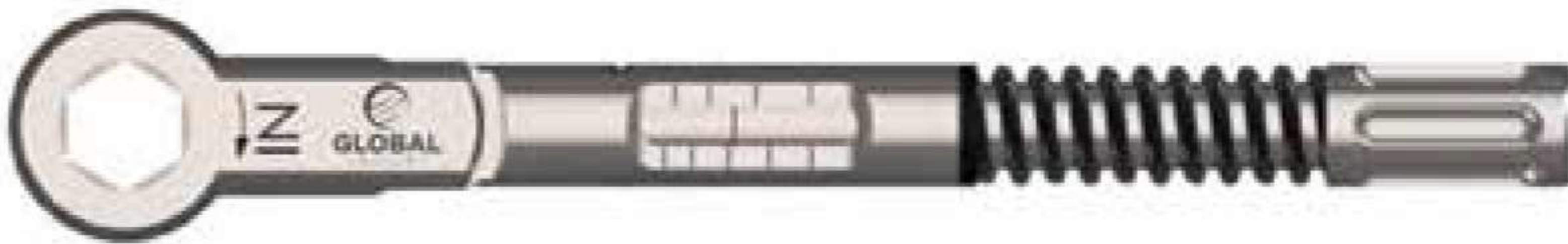




# RATCHET, DEPTH PROBE & PARALLEL PINS



Parallel pin  
Ø2.0-Ø3.20 mm  
Length: 24 mm



Torque ratchet  
10-45 Ncm



Ratchet wrench



Implant site depth probe



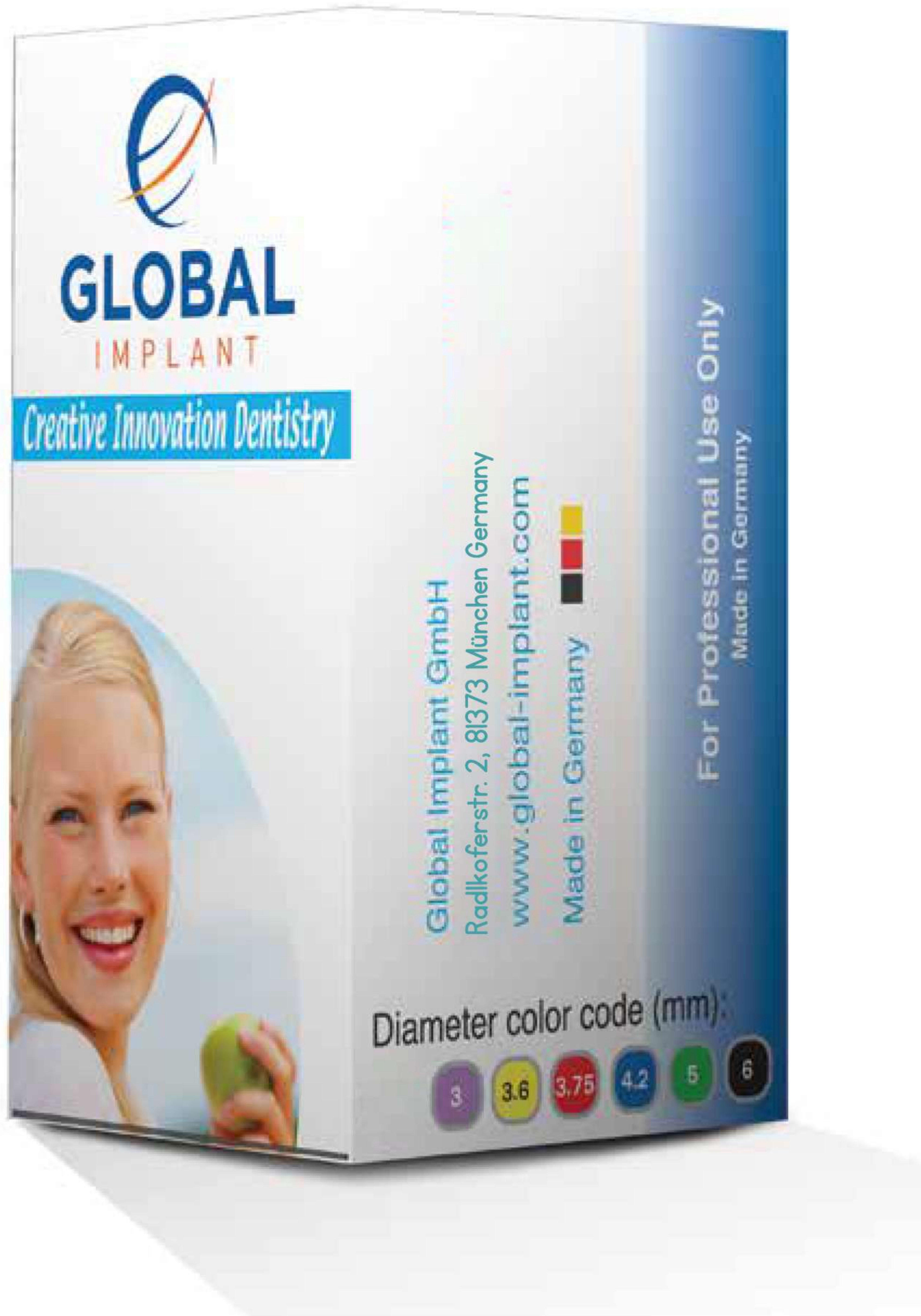
**GLOBAL**  
IMPLANT



# PACKAGING

# IMPLANT PACKAGING & LABEL

The Package contains: Tube, Titanium sleeve, plastic cap, implant and cover screw. Triple label for physician convenience and patient tracking file & instructions for use and leaflet.



# PROSTHETICS PACKAGING & LABEL

Double label for physician convenience and patient tracking file.



**GLOBAL**  
IMPLANT

  
GLOBAL IMPLANT  
GmbH  
Radlkofenstr. 2, 81373  
München - Germany

  
0470

|  |   |
|--|---|
| Healing Abutment   |  |
| <b>REF</b> HC-1012   |   |
| <b>height: 2mm</b>           |   |
| <b>LOT</b> 653/325  2012-06  |   |

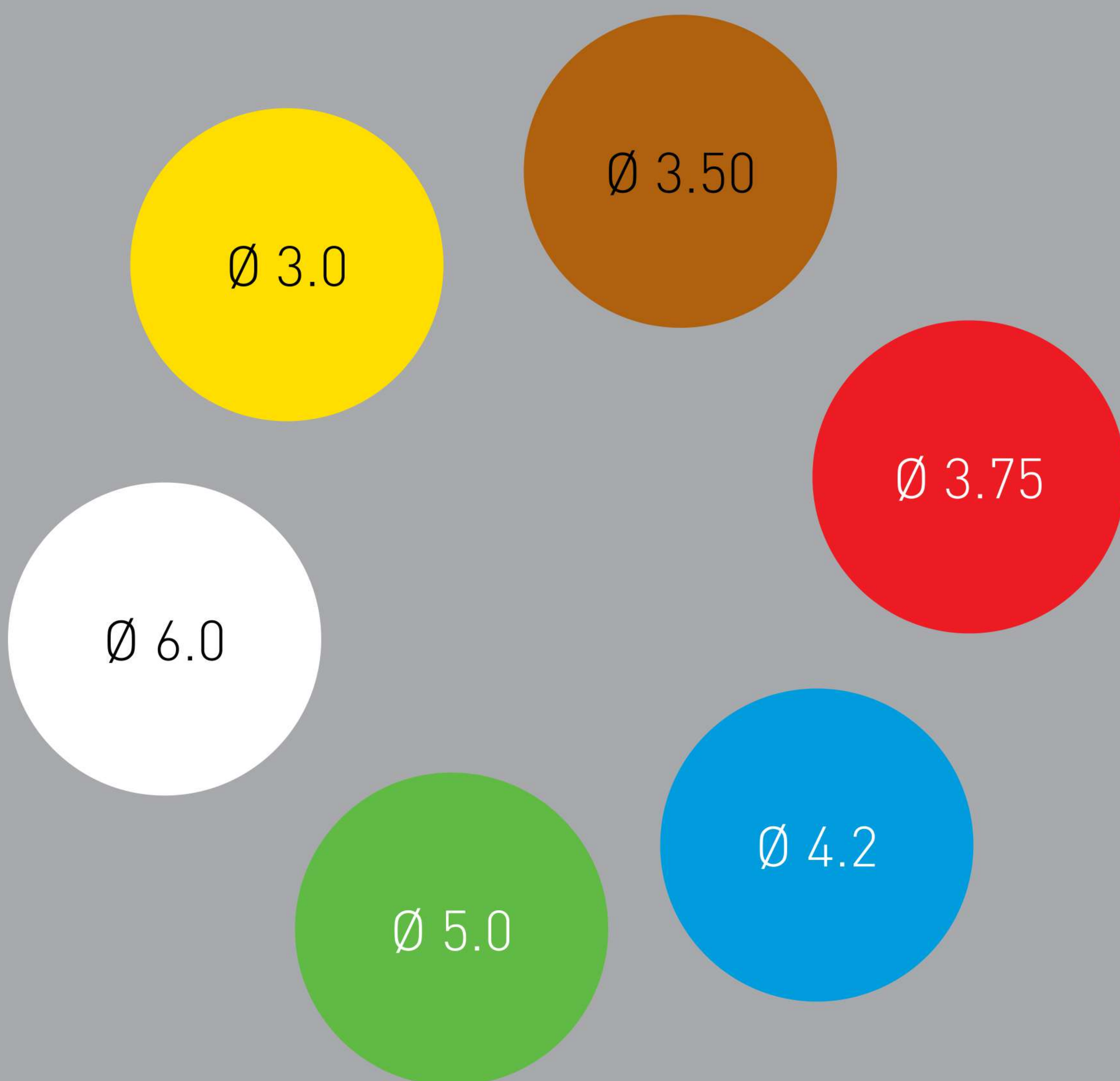
|  |   |
|--|---|
| Healing Abutment   |  |
| <b>REF</b> HC-1012   |   |
| <b>height: 2mm</b>           |   |
| <b>LOT</b> 653/325  2012-06  |   |

[www.global-implant.com](http://www.global-implant.com)

# IMPLANT COLOR CODING

Each package is designed with a number of indications that ensure fast and reliable product identification:

- Lid color indication – six colors represent different diameters: yellow, purple, red, blue, green, and white.
- The label on the tube's lid indicates the implant's diameter and length.
- A product characterization label is positioned outside the implant's outer tube.



# MANUFACTURER

GLOBAL IMPLANT GmbH

ADDRESS: Radlkofenstr. 2, 81373 München Germany

✉ info@global-implant.com

☎ tel: +49 89 741185-185

www.global-implant.com



[www.global-implant.com](http://www.global-implant.com)

